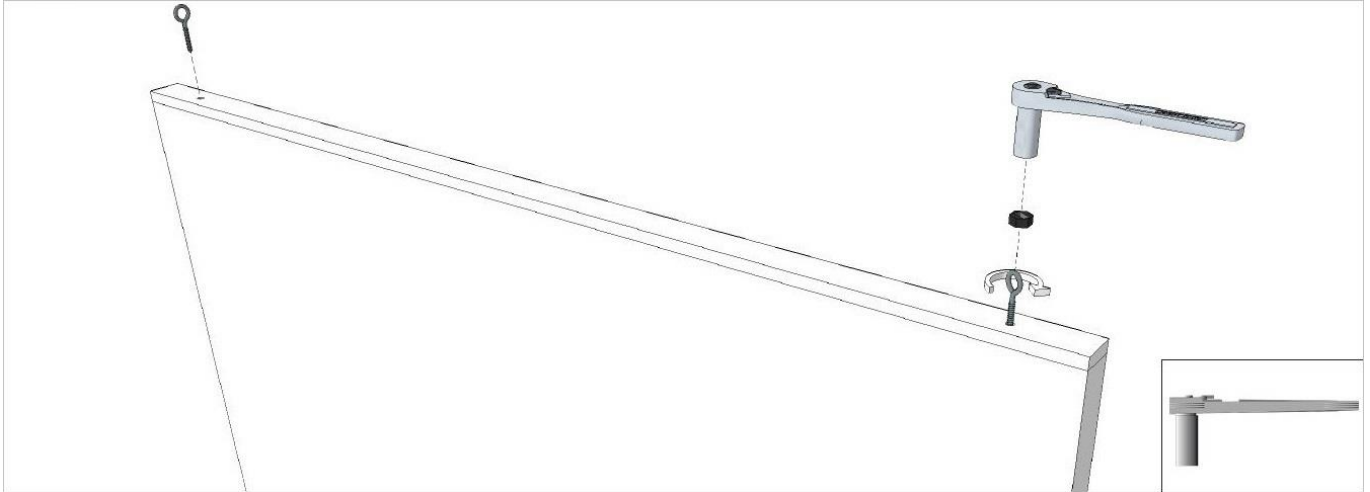


Ceiling Hardware Installation Instructions:

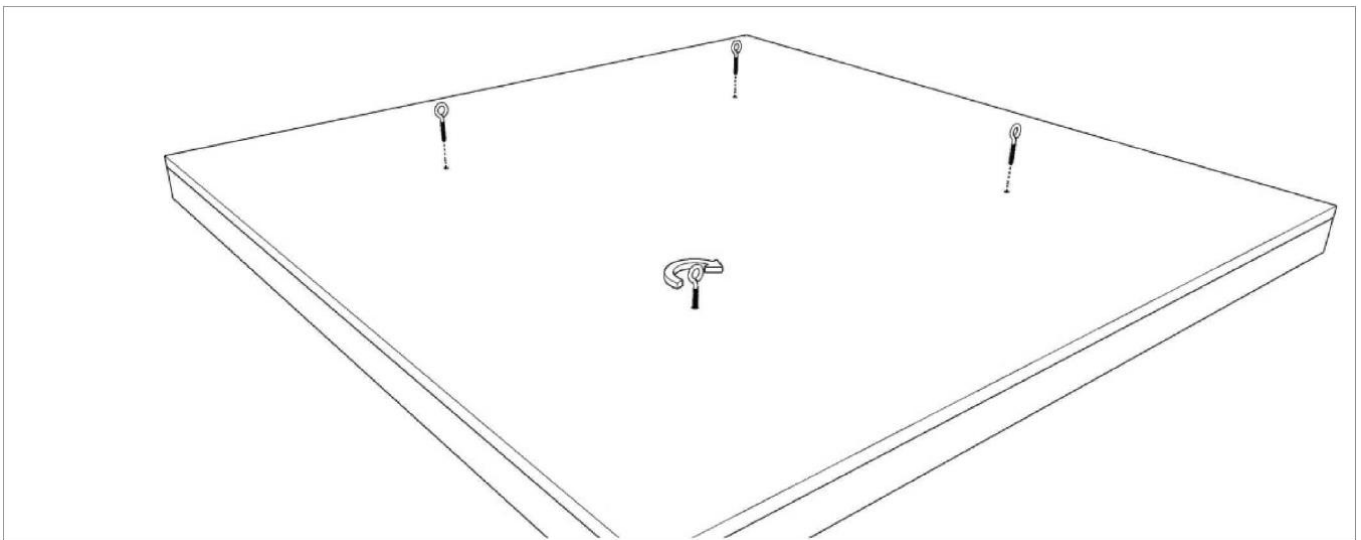
AUDIMUTE ACOUSTIC CEILING BAFFLES

AUDIMUTE ACOUSTIC CEILING CLOUDS

Baffles:



AcustiColor® Acoustic Accent Clouds:

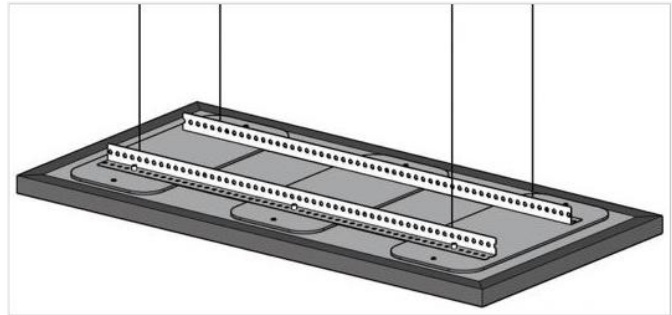
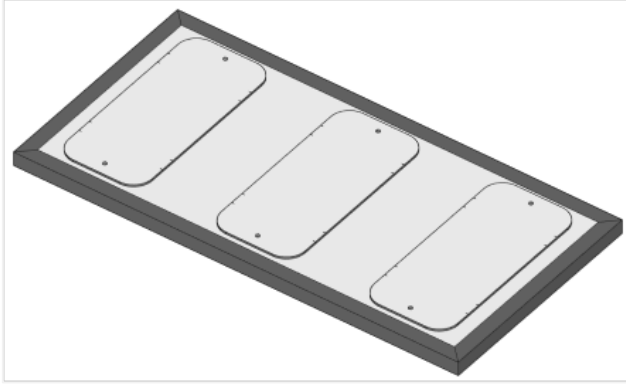


Ceiling Hardware Installation Instructions:

AUDIMUTE ACOUSTIC CEILING BAFFLES

AUDIMUTE ACOUSTIC CEILING CLOUDS

Fabric Acoustic Ceiling Clouds & AcustiColor® Acoustic Ceiling Clouds:



Tools Required:

- Power Drill w/ Adjustable Torque
- 3/8" Socket Drive
- 3/8" Socket

Included:

- 3/8" Drive Self-Tapping Screws
- Perforated L-Channel
- Acoustic Cloud w/ Structural Backing

Instructions:

To ensure proper installation, follow the instructions below and check building codes.

1. Chuck the 3/8" socket and drive into drill. Set torque setting to middle of torque range.
2. Align and center L-Channel with the locating notches in the structural backers.
3. Insert the self-tapping screws using the power drill. ****IMPORTANT**** Set the torque setting to the middle of the torque range. ****DO NOT**** over torque the screws; if over torquing occurs, remove the screw and insert into a new location.
4. Hang the cloud using hardware with load ratings twice that of the cloud's weight.