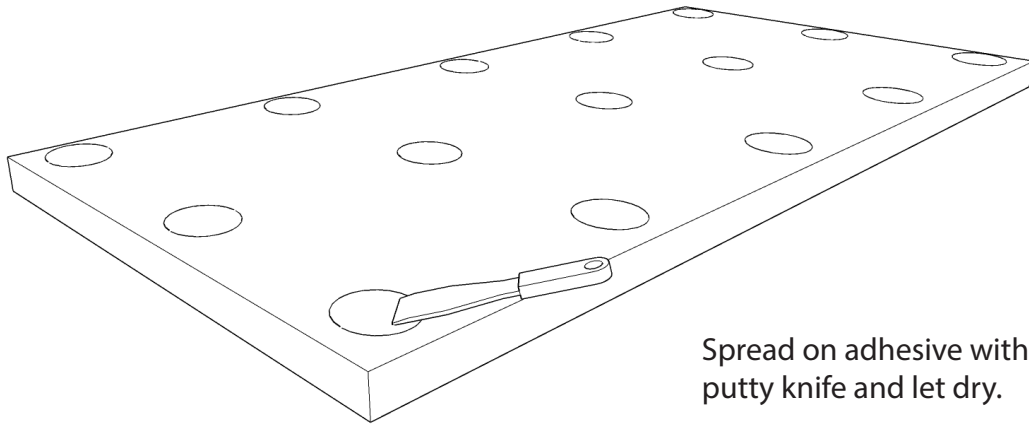


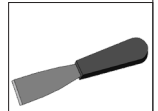
# Direct Mount Ceiling Tiles Installation Instructions:

## TITEBOND® ACOUSTIC CEILING TILE ADHESIVE

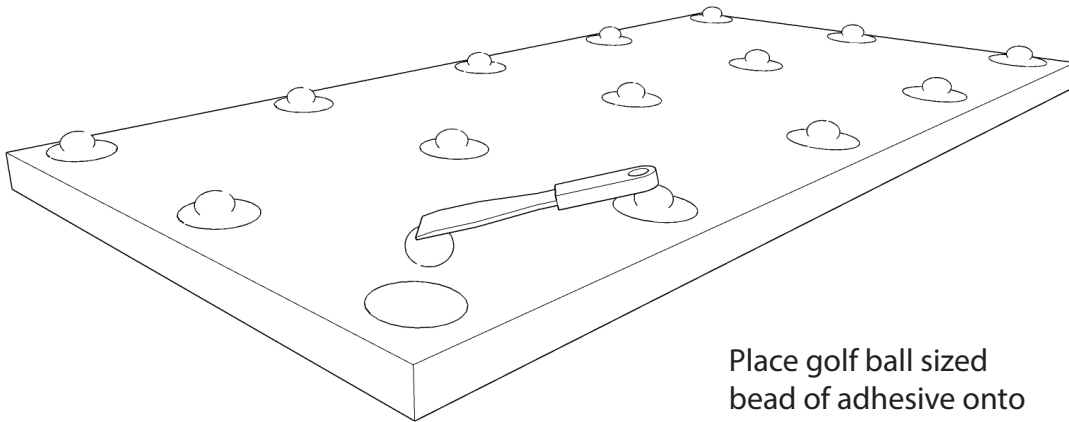
1



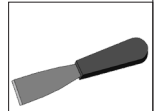
Spread on adhesive with putty knife and let dry.



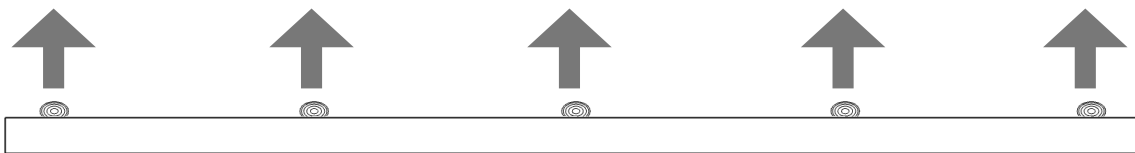
2



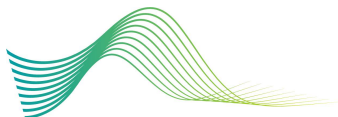
Place golf ball sized bead of adhesive onto already dried adhesive.



3



Press firmly against ceiling.



**AUDIMUTE™**  
sound management solutions

Audimute.com  
1.866.505.MUTE

# Drop Ceiling Tiles Installation Instructions:

